

# Type B Tubing Anchor Catcher

Anchor for enhanced pumping efficiency

## APPLICATIONS

- Rod lifted wells with production tubing to reduce tubing movement caused by cyclical loading

## BENEFITS

- Reduces wear on rods, tubing, and casing
- Improves pumping efficiency
- Lowers operating costs

## FEATURES

- Easy setting—left to set, right to release
- Right to set, left to release also available
- Adjustable shear rating
- Available carbide and wicker slips

The installation of a tubing anchor is a common and beneficial addition to every rod lifted well. Maintaining pull tension on the tubing string greatly reduces tubing movement caused by cyclical loading created during normal operation of the sucker rod pump. The reduction of tubing movement enables the pump to consistently make a full stroke and maximize the efficiency of the entire rod lift system.

## Recommended placement

The Type B tubing anchor may be placed anywhere within the tubing string and set to anchor to the casing wall. However, the most common placement is below the sucker rod pump, typically with a tubing sub between the two.

The design of the Type B tubing anchor does not always lend itself well to newer well completion methods that result in the placement of the anchor below wellbore perforations and in greatly increased sand presence. If it is necessary to use a tubing anchor below perforations, the Don-Nan Slimhole Tubing Anchor is a more suitable option.



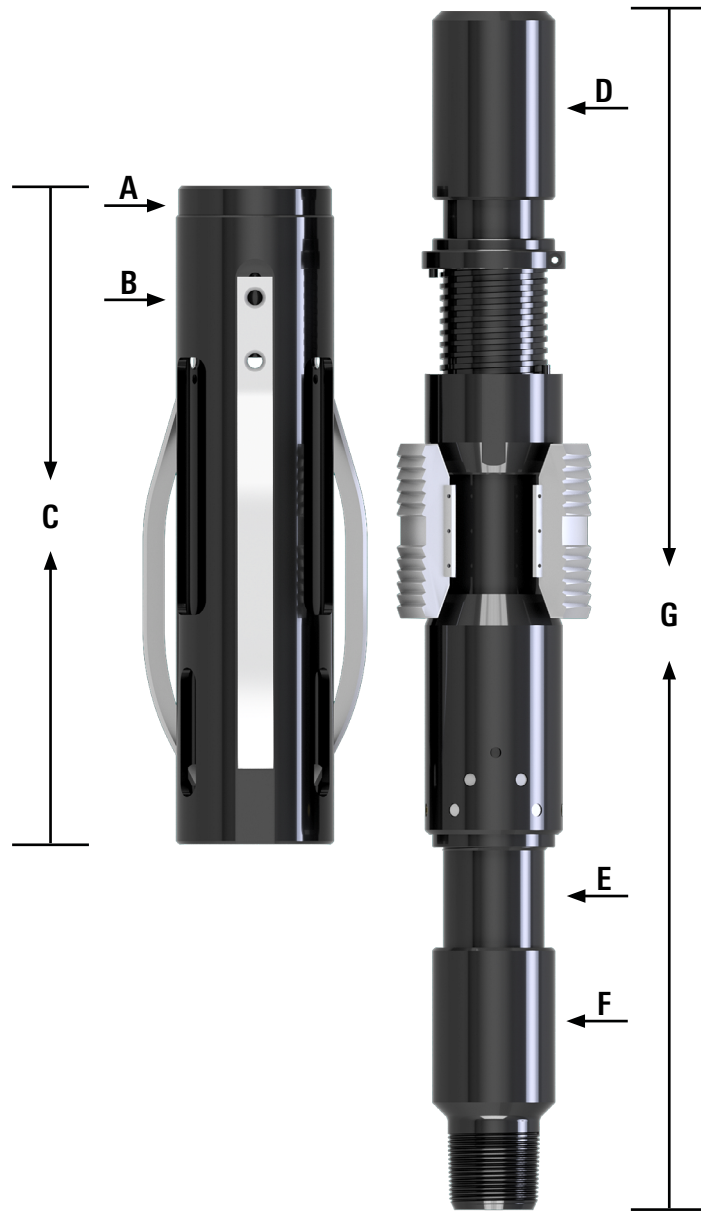
Type B TAC

## Type B Tubing Anchor Specifications

Casing			Anchor			
Size, in [mm]	Weight, lb./ft.	Min Drift, in [mm]	Max Tool OD, in [mm]	Tool ID, in [mm]	Thread Connections	† Annular Clearance, in [mm]
4.5 [114.30]	9.5-13.5	3.795 [96.39]	3.75 [95.25]	1.937 [49.20]	2.375 EUE 8 RD	0.151 [3.84]
5.5 [139.70]	13-23	4.545 [115.44]	4.5 [114.30]	1.937 [49.20]	2.375 EUE 8 RD 2.875 EUE 8 RD	0.196 [4.98]
7 [117.80]	20-38	5.795 [147.19]	5.5 [139.70]	2.5 [63.50]	2.375 EUE 8 RD 2.875 EUE 8 RD 3.5 EUE 8 RD	0.433 [11.00]
7.625 [193.68]	24-55.3	6 [152.40]	5.875 [149.23]	2.5 [63.50]	2.375 EUE 8 RD 2.875 EUE 8 RD 3.5 EUE 8 RD	0.735 [18.66]
9.625 [244.48]	32.3-64.9	8.125 [206.38]	8 [203.20]	3 [76.20]	2.875 EUE 8 RD 3.5 EUE 8 RD 4.5 EUE 8 RD	0.461 [11.70]

† Annular clearance calculated for the following casings: 4.5 in, 10 lbf/ft, 4.052-in ID; 5.5 in, 17 lbf/ft, 4.892-in ID; 7 in, 23 lbf/ft, 6.366-in ID; 7.625 in, 26.4 lbf/ft, 6.696-in ID; 9.625 in, 36 lbf/ft, 8.921-in ID

# Type B Tubing Anchor Catcher



**Type B Tubing Anchor Catcher**

		Physical Dimensions, in [mm]				
		4.5 [114.30]	5.5 [139.70]	7 [117.80]	7.625 [193.68]	9.625 [244.48]
Description	Item					
Cap, OD	A	3.75 [95.25]	4.37 [111.00]	5.375 [136.53]	5.375 [136.53]	6.933 [176.02]
Cage, OD	B	3.75 [95.25]	4.5 [114.30]	5.5 [139.70]	5.5 [139.70]	7 [177.80]
Cage, Length	C	23.09 [586.49]	18.84 [478.56]	18.25 [463.55]	18.25 [463.55]	23.48 [596.39]
Coupling, OD	D	3.13 [79.50]	3.69 [93.73]	3.687 [93.65]	3.687 [93.65]	5.563 [141.30]
Mandrel, ID	E	1.94 [49.28]	2.41 [61.21]	2.5 [63.50]	2.5 [63.50]	3 [76.20]
Crossover Sub, OD	F	2.88 [73.15]	3.5 [88.90]	3.69 [93.73]	3.69 [93.73]	4.75 [120.65]
Anchor, Length	G	38.5 [977.90]	36.38 [924.05]	37.5 [952.50]	37.5 [952.50]	42.615 [1082.42]